

EA-BT Bluetooth® Controller Lite

Wireless access control

Features

- Wireless credential management
- Authorize/revoke access remotely
- Phone or tablet can be used as key
- Cloud-based, no software to install or maintain
- 128 Bit multilayer encryption for ultimate security

Electrical Specifications

- Supply Voltage: 12 VDC
- Operating Current: 20mA
- Peak Current: 50mA
- Relay Output: 750mA @12 VDC

Material

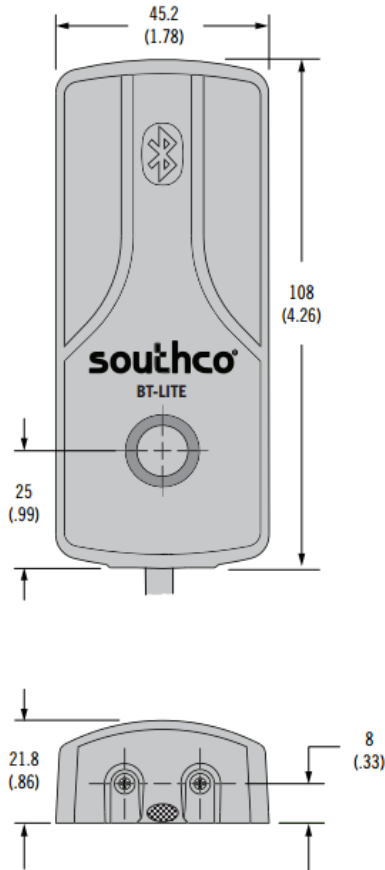
- Housing and Base: PC / ABS
- Button: Silicone
- PCA: FR4, Lead free
- Wire: 24 Awg, stranded, TC, style UL 1571 or UL 1007
- Screws: Steel, zinc plated, clear passivation

Installation Notes

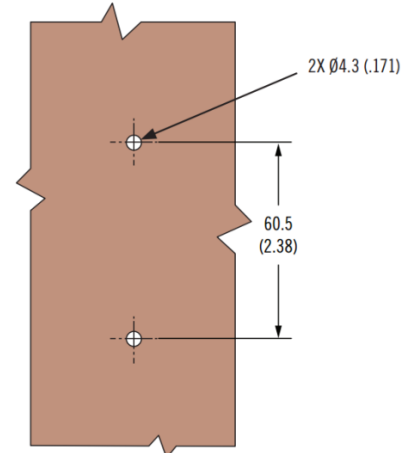
1. Remove controller from base by removing two screws at bottom of unit
2. Install base onto panel with two M4 screws
3. Attach controller to base with two screws at bottom of unit
4. See instruction installations for electrical connections



Controller Assembly



Panel Preparation

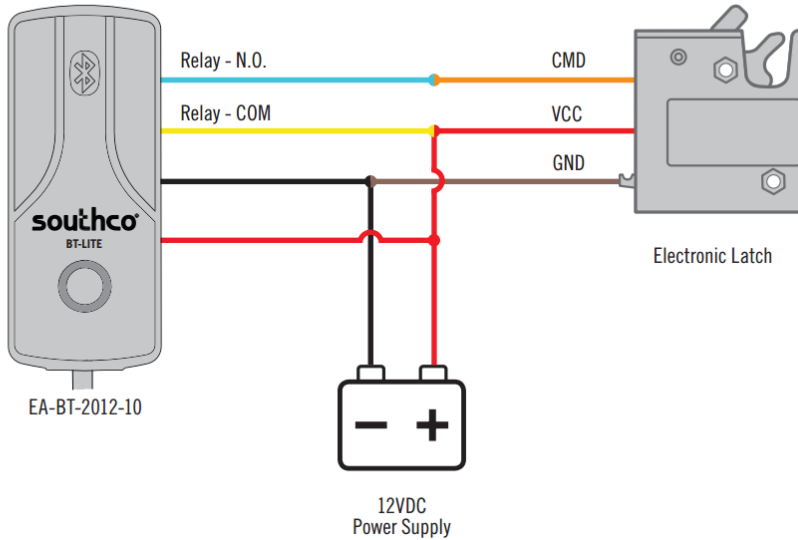


Part Number	Description
EA-BT-2012-10	BLUETOOTH® Controller Lite
<i>For other wiring options, please contact Gripwell</i>	

Wire Color Code Assignment

- Red: 12VDC
- Black: GND
- Yellow: Relay - Common
- Blue: Relay - N.O.

Example Connection Diagram



Cloud-based Key Management



How to Use:

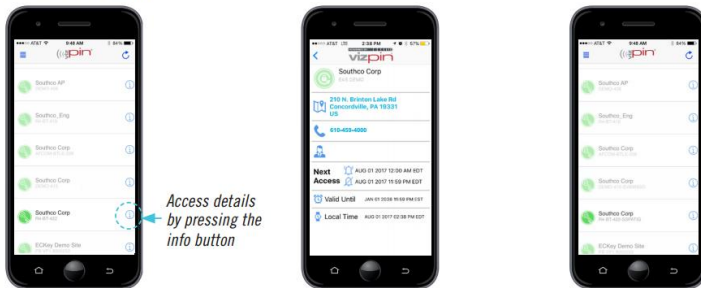
Southco's EA-BT Bluetooth® Controller Lite provides remote control and monitoring of access to electronic locks without the need for any wiring between an access controller and remote monitoring system.

Control is managed via the cloud based VIZpin® application. The VIZpin® application has two interfaces:

VIZpin® Access Control: This admin interface manages and monitors access via a web browser. This allows virtual keys to be provided to and revoked from users remotely.

Virtual Keys: This user interface allows users to open Southco's electronic locks using the VIZpin app on a mobile device. The user wirelessly receives a virtual key that can be used to communicate with the EA-BT Bluetooth® Controller Lite to open the connected lock(s).

BLUETOOTH® Mobile App



- User logs into application
- A list of virtual keys are displayed
- Virtual keys that are in range of a BLUETOOTH® Controller are highlighted
- User selects "info" for access details including:
 - Physical address of equipment
 - Access time window
 - Key expiration date
- User presses "key" icon for access
- BLUETOOTH® controller verifies virtual key then sends signal to unlock the connected lock